

FRONT ELEVATION
SCALE: NO SCALE

SIDE ELEVATION
SCALE: NO SCALE

REAR ELEVATION
SCALE: NO SCALE

STRUCTURAL NOTES:

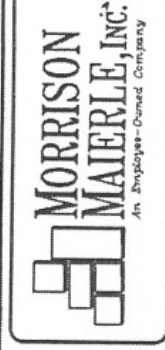
1. MAX ROOF SNOW LOAD = 100 PSF.
2. CONCRETE MIN. 28-DAY COMPRESSIVE STRENGTH = 5,000 PSI.
3. REINF. ASTM A615 GRADE 40.
4. BACKFILL BURIED VAULT WITH SANDY OR GRAVELLY MAT'L.



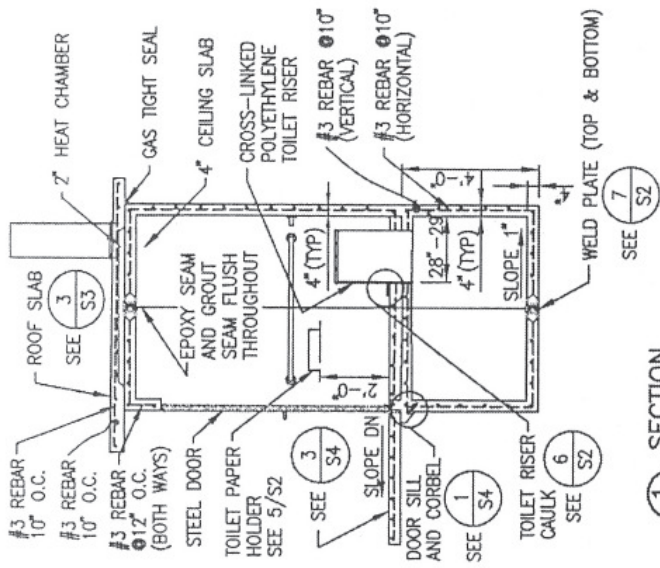
PRECAST CONCRETE VAULT TOILET
"CLOVERMIST"
 BOOM CONCRETE, INC
 NEWELL, SOUTH DAKOTA 57760



DRAWN BY: CO
 CHKD BY: PCC
 APPR. BY: PCC
 JOB#: 1751.013-040-0215
 DATE: 04/13/98

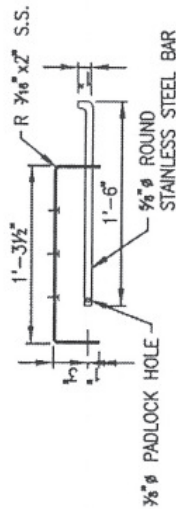


ENGINEERS
 SCIENTISTS
 ARCHITECTS
 PLANNERS
 SINCE 1943
 200 West Ave.
 Rapid, SD 57450
 Phone (605) 241-8888
 Fax (605) 241-3337

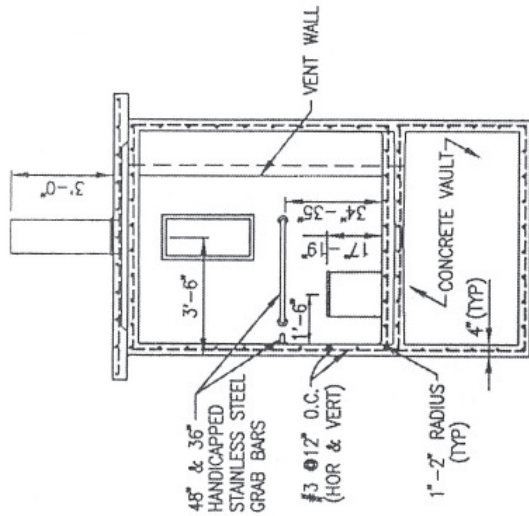


1 SECTION
S2 SCALE: N/A

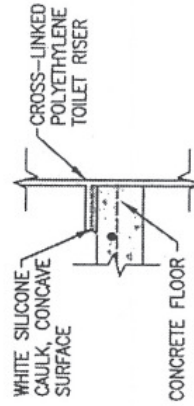
NOTE:
HOLDER MOUNTED TO WALL
W/3/4" MASONRY
EXPANSION FASTENERS



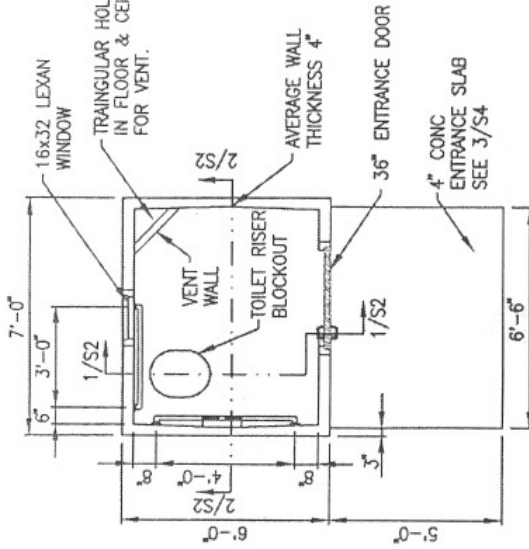
5 TOILET PAPER HOLDER
S2 SCALE: N/A



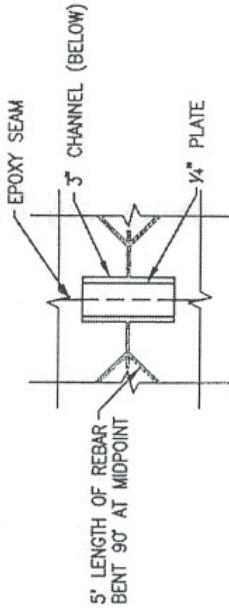
2 SECTION
S2 SCALE: N/A



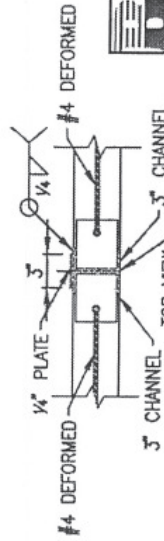
6 TOILET RISER CAULK
S2 SCALE: N/A



3 VAULT TOILET FLR PLAN
S2 SCALE: N/A



7 WELD PLATE
S2 SCALE: N/A



7 WELD PLATE
S2 SCALE: N/A



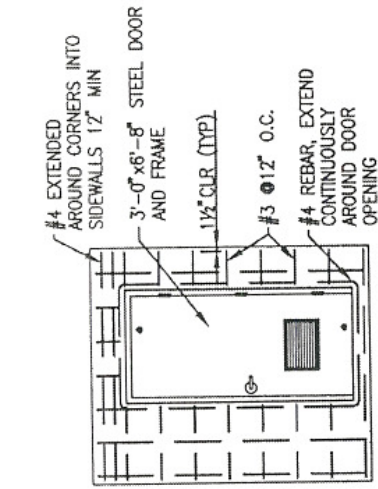
PRECAST CONCRETE VAULT TOILET
"CLOVERMIST"
BOOM CONCRETE, INC
NEWELL, SOUTH DAKOTA 57760

DRAWN BY: CO
CHK'D BY: PCG
APPR. BY: PCG
JOB: 1751.013-040-0215
DATE: 05/13/98

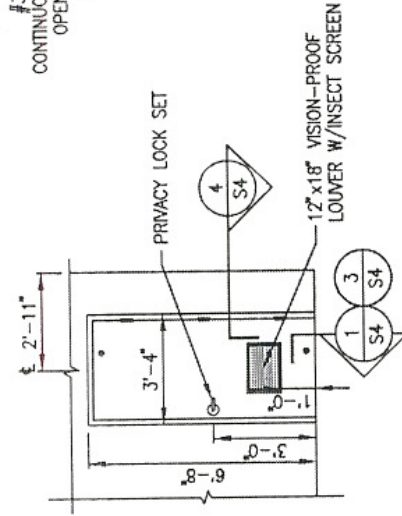
MORRISON MAERLE, INC.
An Employee-Owned Company

CONCRETE
SPECIALISTS
SUPPORTS
SPECIALISTS
SHEET 144

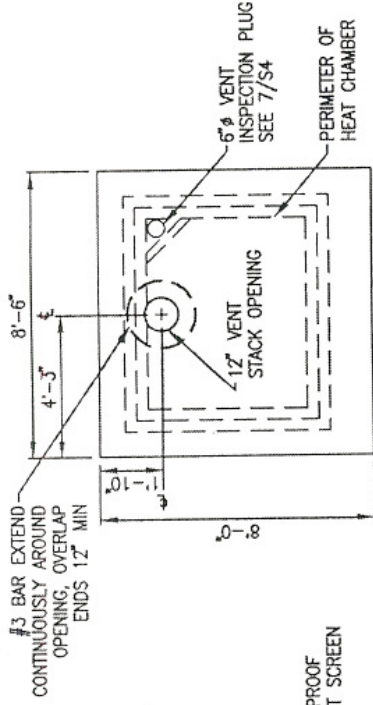
800 One Lake
Bluffs, IA 50622
Phone: (515) 264-8000
Fax: (515) 264-8022



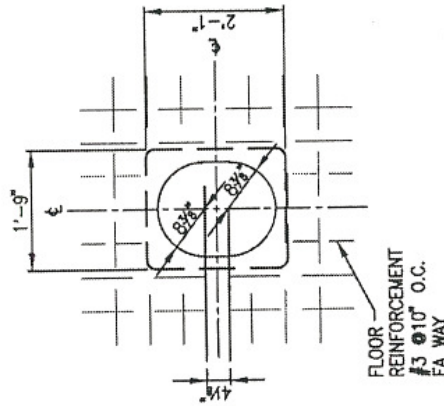
1 REINF AT DR OPENING
S3 SCALE: 1/4"=1'-0"



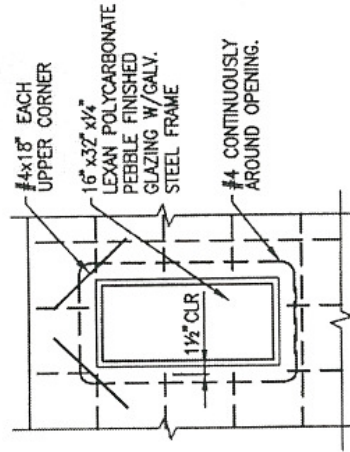
2 DOOR DETAIL
S3 SCALE: 1/4"=1'-0"



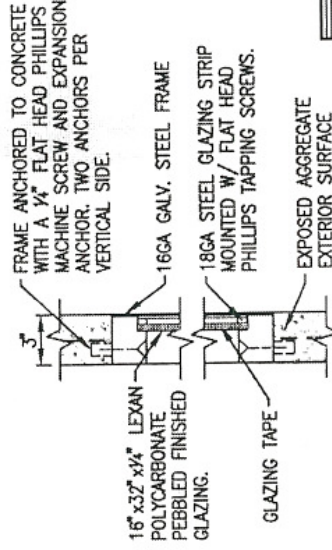
3 ROOF SLAB DETAIL
S3 SCALE: 1/4"=1'-0"



4 RISER OPENING REINF.
S3 SCALE: 1/4"=1'-0"



5 WINDOW OPENING REINF.
S3 SCALE: 1/4"=1'-0"



6 WINDOW DETAIL
S3 SCALE: NOT TO SCALE



PRECAST CONCRETE VAULT TOILET
"CLOVERMIST"
BOOM CONCRETE, INC
NEWELL, SOUTH DAKOTA 57760

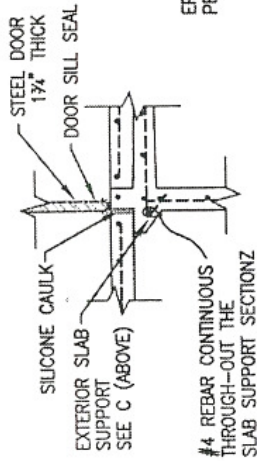
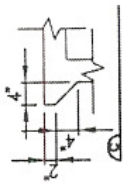


DRAWN BY: CO
CHK'D BY: PCG
APP'D BY: PCG
JOB: 175L013-040-0215
DATE: 04/13/98

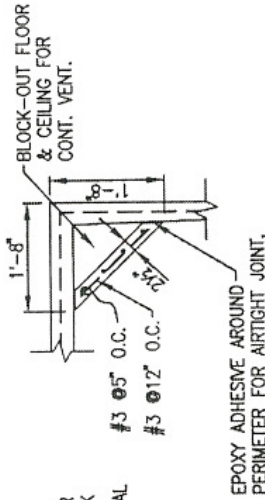
MORRISON
MAIERLE, INC.
An Employee-Owned Company

ENGINEERS
ARCHITECTS
SURVEYORS
PLUMBERS
ELECTRICIANS
MECHANICAL
SHEET METAL
PAINTERS
ROOFERS
IRONWORKERS
SHEET METAL
WELDERS
SHEET METAL
WELDERS
SHEET METAL
WELDERS

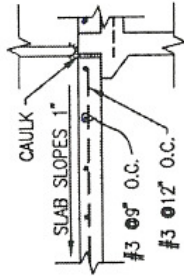
S3
3 of 4



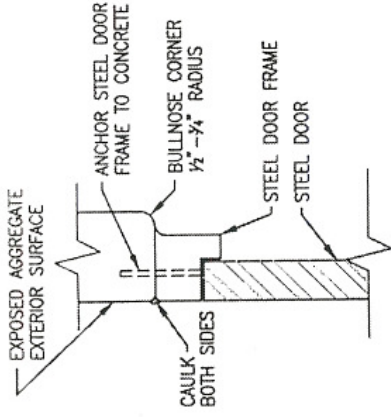
1 DOOR SILL/SLAB DET'L
S4 SCALE: N=1'-0"



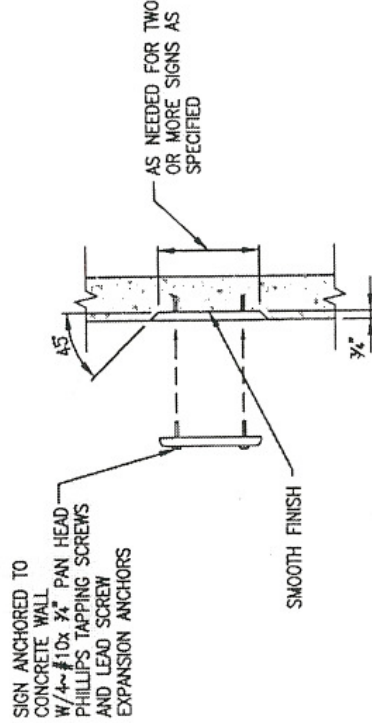
2 VERTICAL VENT DET'L
S4 SCALE: N=1'-0"



3 ENTRANCE SLAB DET'L
S4 SCALE: N=1'-0"



4 DOOR JAMB DETAIL
S4 SCALE: 1/4\"/>

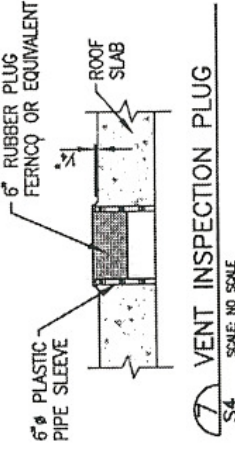


5 SIGN INSET DETAIL
S4 SCALE: N=1'-0"

NOTE: SIGNS ARE 9"x6" AND ARE RECESSED 3/8" IN FRONT WALL SEE DETAIL 6/S4



6 RESTROOM SYMBOLS
S4 SCALE: NO SCALE



7 VENT INSPECTION PLUG
S4 SCALE: NO SCALE



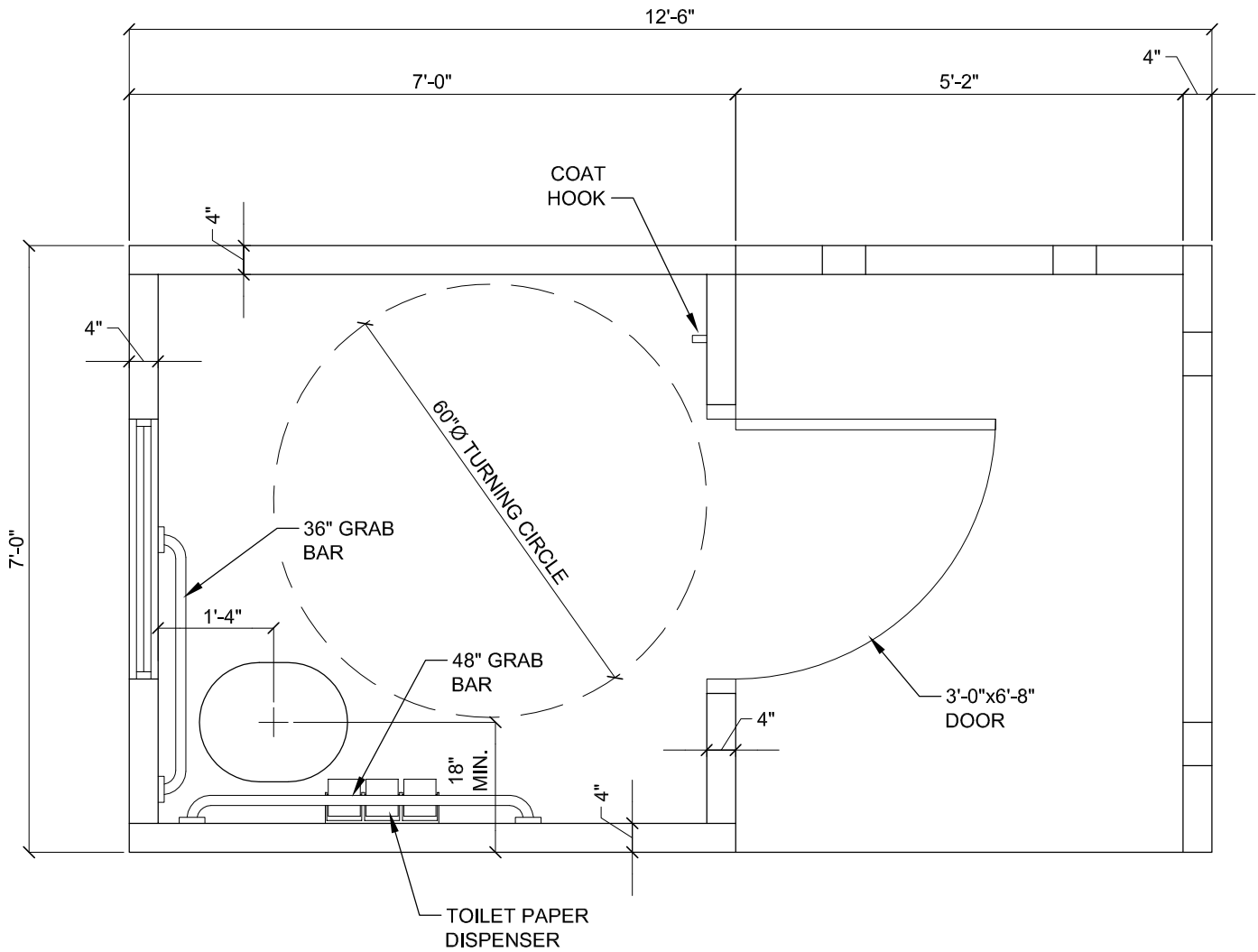
PRECAST CONCRETE VAULT TOILET
"CLOVERMIST"
BOOM CONCRETE, INC
NEWELL, SOUTH DAKOTA 57760



DRAWN BY: CO
CHK'D BY: PCG
APPR. BY: PCG
JOB#: 1751.013-040-0215
DATE: 04/13/98



2025 Good Home
Plans, # 3127
Phone (502) 646-0000
FAX (502) 646-0000
Since 1940



1
S101

RIGHT-HAND SINGLE UNIT TOILET

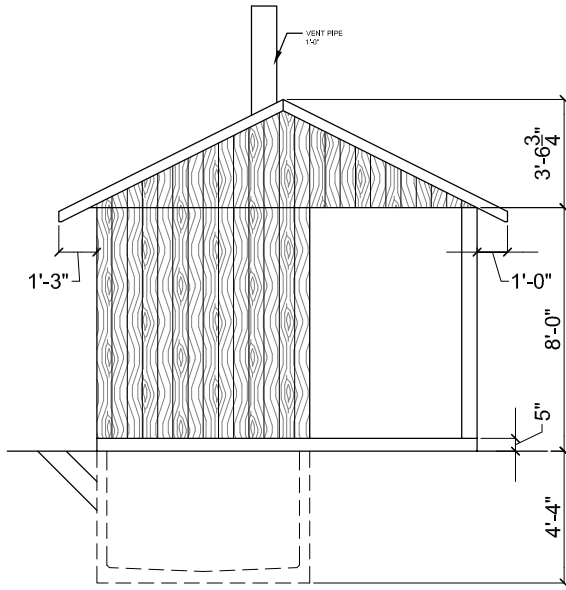
SCALE = 1/2"=1'-0"

Drawn By RJT
 Checked By LLR
 Date 12/10/10
 LE # BOOM
 Cad File S101.DWG

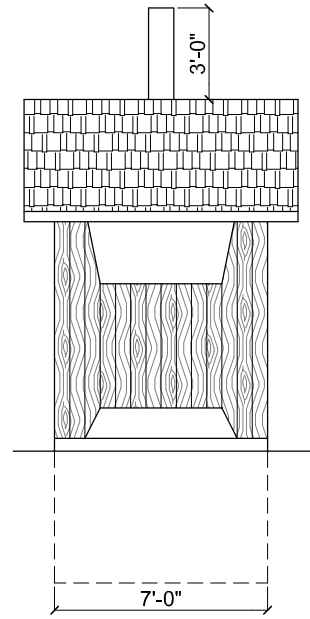
BOOM SINGLE VAULT
 TOILET PLAN
 SPEARFISH, SOUTH DAKOTA

LANCE
ENGINEERING
 LANCE ENGINEERING 605-642-3680
 2525 PARAMOUNT DR. SPEARFISH, SD

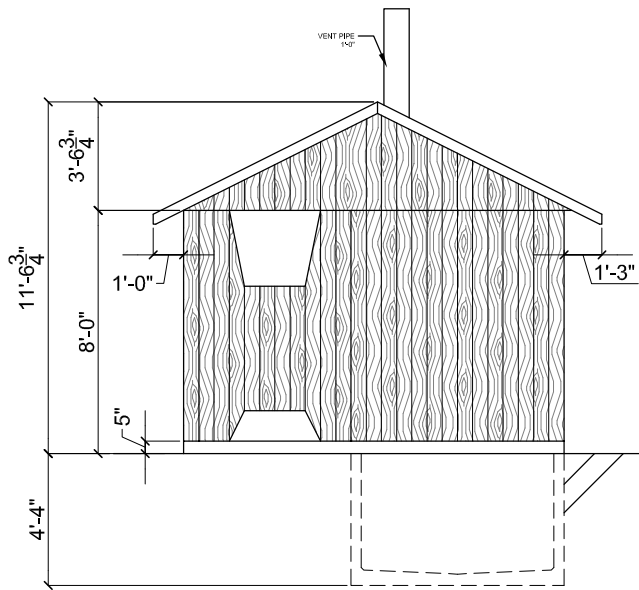
S101



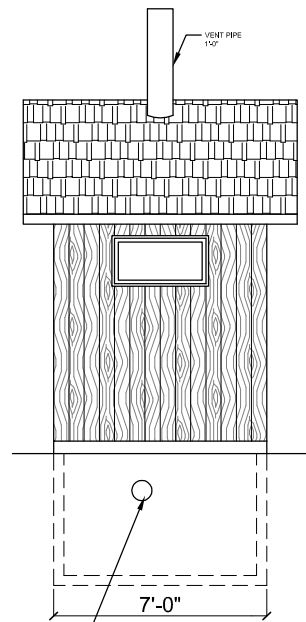
FRONT ELEVATION



SIDE ELEVATION



REAR ELEVATION



SIDE ELEVATION

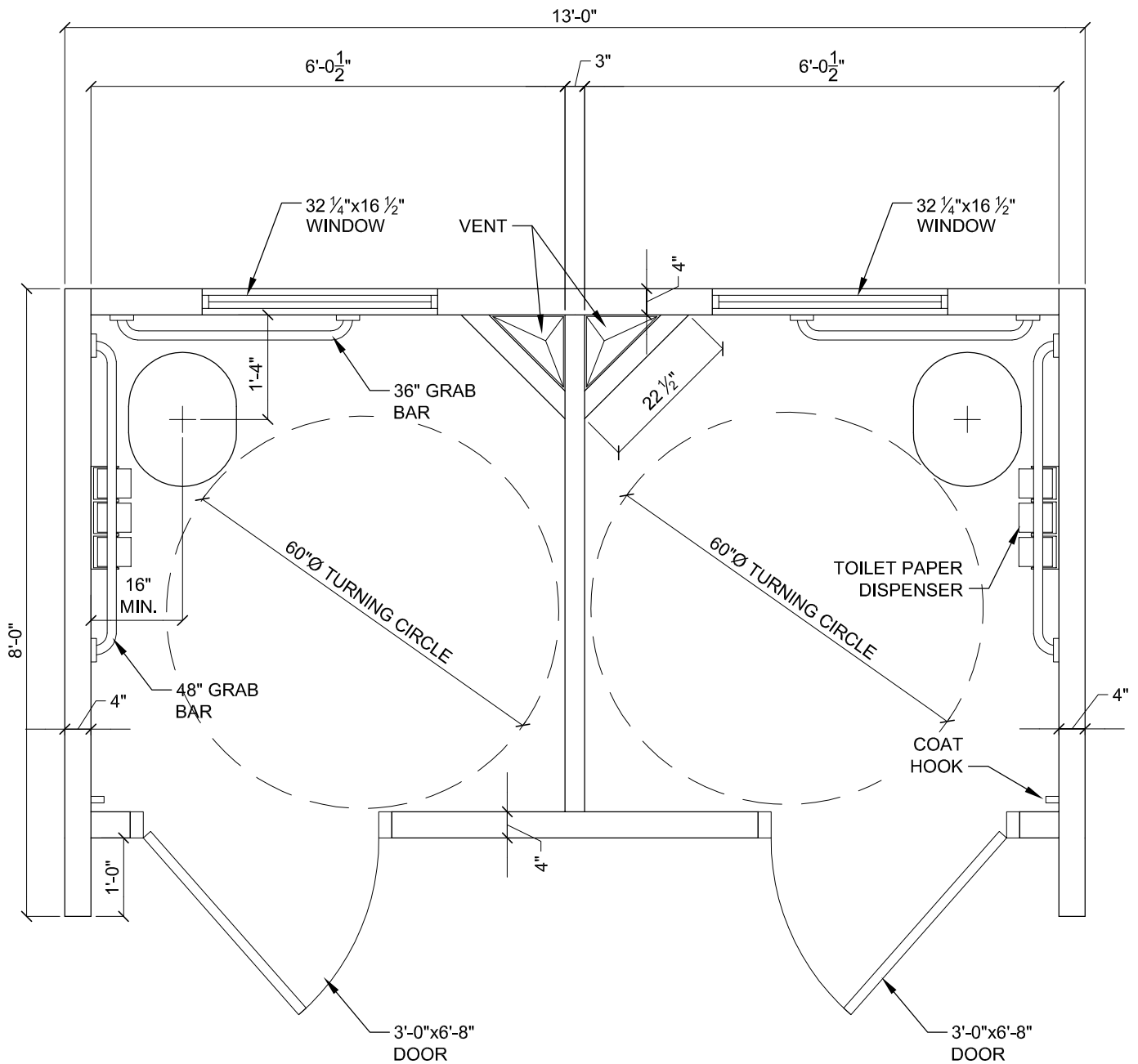
8"Ø PVC
CLEANOUT w/ CAP
AND LOCKS w/ ROD
& OWNER FURNISHED
PADLOCK

Drawn By RJT
 Checked By LLR
 Date 12/9/10
 LE # BOOM
 Cad File S101.DWG

**BOOM SINGLE VAULT
 TOILET ELEVATIONS**
SPEARFISH, SOUTH DAKOTA

**LANCE
 ENGINEERING**
 LANCE ENGINEERING 605-642-3680
 2525 PARAMOUNT DR. SPEARFISH, SD

S102



1
S101

DOUBLE UNIT TOILET

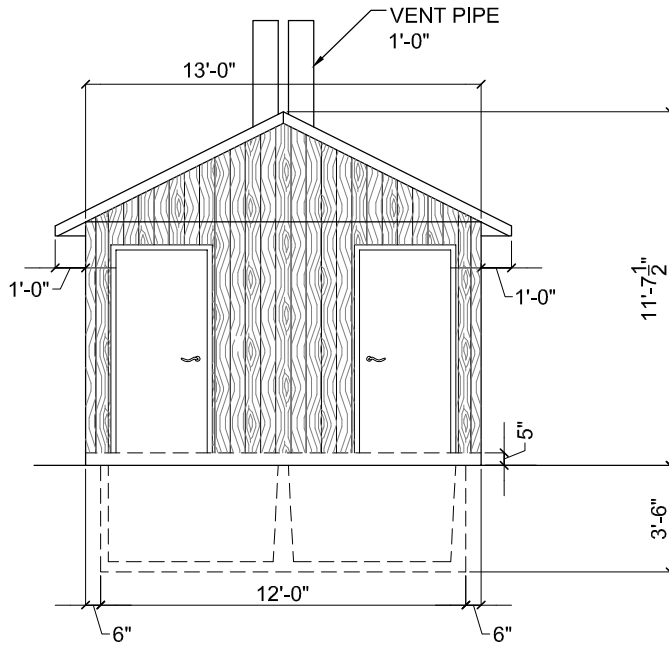
SCALE = 1/2"=1'-0"

Drawn By RJT
 Checked By LLR
 Date 12/10/10
 LE # BOOM
 Cad File S101.DWG

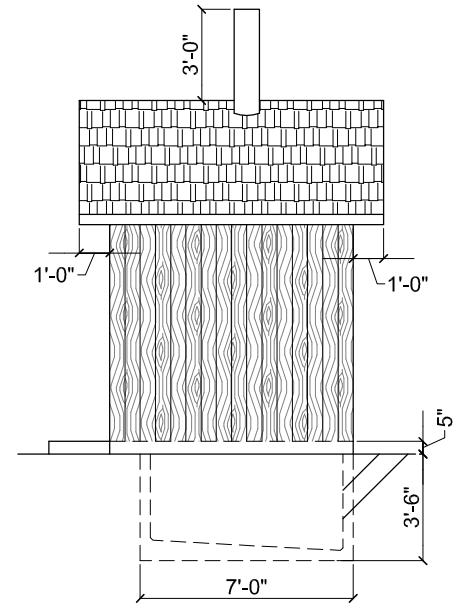
BOOM DOUBLE VAULT
 TOILET PLAN
 SPEARFISH, SOUTH DAKOTA

LANCE
ENGINEERING
 LANCE ENGINEERING 605-642-3680
 2525 PARAMOUNT DR. SPEARFISH, SD

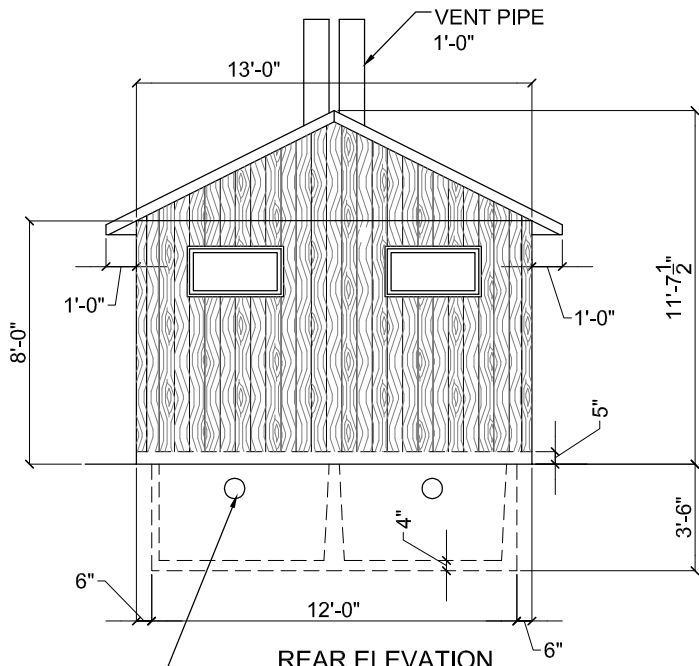
S101



FRONT ELEVATION

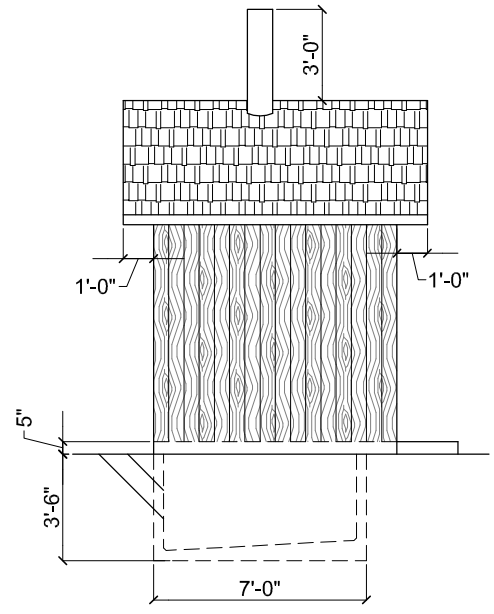


SIDE ELEVATION



REAR ELEVATION

8"Ø PVC
CLEANOUT w/ CAP
AND LOCKS w/ ROD
& OWNER FURNISHED
PADLOCK



SIDE ELEVATION

Drawn By RJT
 Checked By LLR
 Date 12/10/10
 LE # BOOM
 Cad File S101.DWG

**BOOM DOUBLE VAULT
 TOILET ELEVATIONS**
SPEARFISH, SOUTH DAKOTA

**LANCE
 ENGINEERING**
 LANCE ENGINEERING 605-642-3680
 2525 PARAMOUNT DR. SPEARFISH, SD

S102