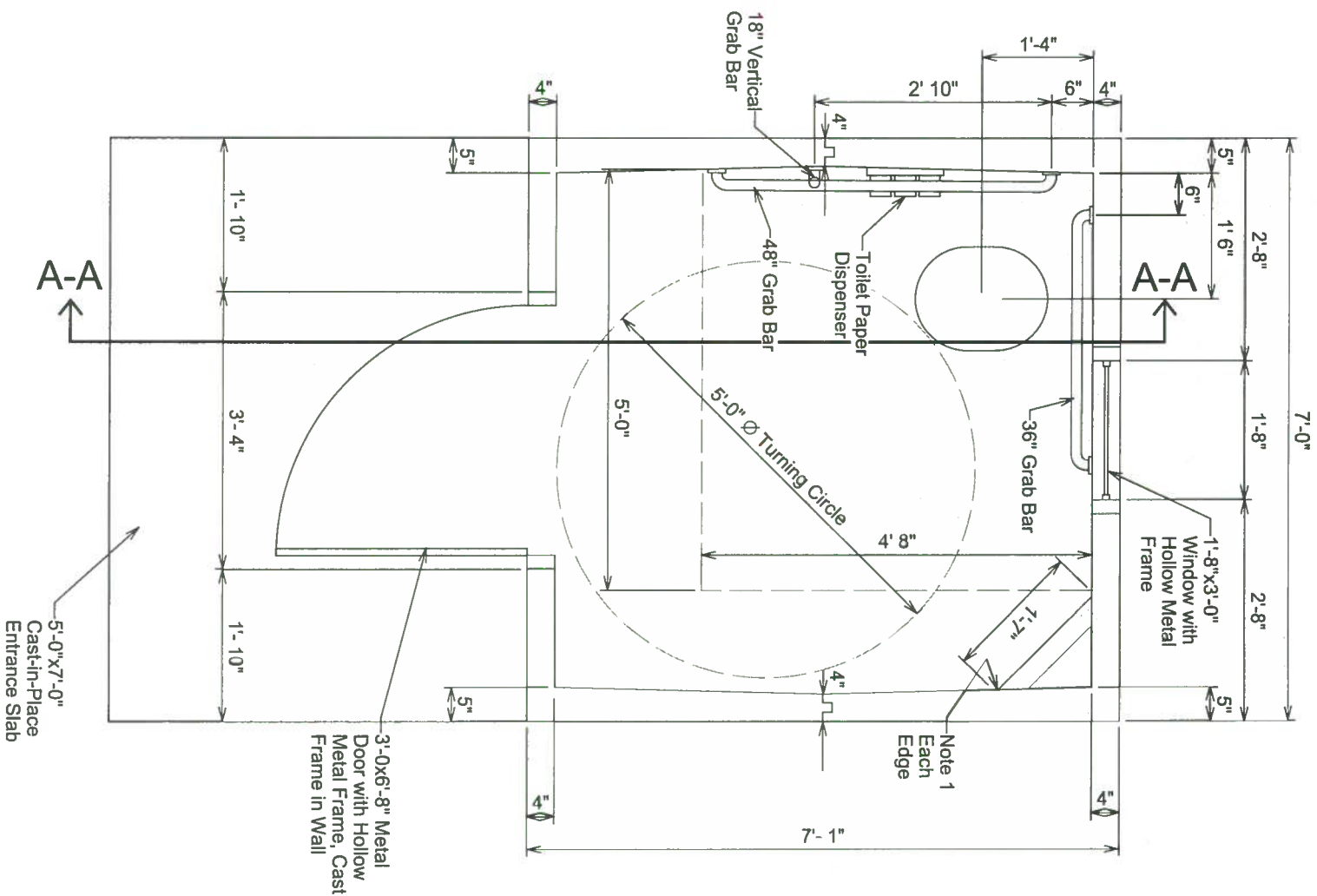


PLAN NOTES

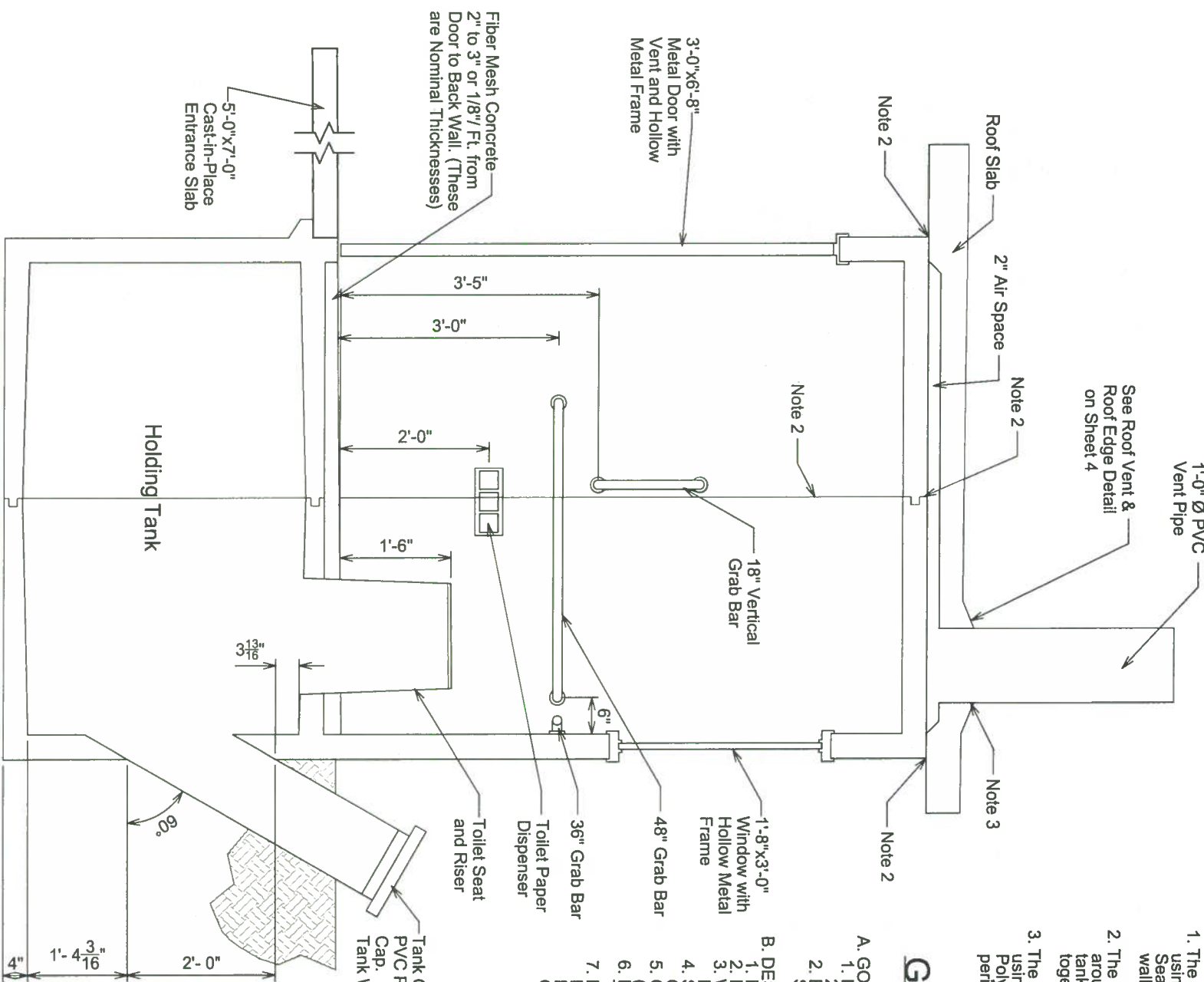
1. The Manufacturer will place interior vent wall using a High Performance Polyurethane Sealant. This will attach the wall to the exterior walls and also seal the toilet room from odors.
2. The Manufacturer will place CS-665 CONSEAL around the mating edges of the toilet, holding tank and ceiling prior to joining the two halves together.
3. The Manufacturer will place the roof vent stack using a squeeze fit and a High Performance Polyurethane Sealant around the outside perimeter.

GENERAL NOTES

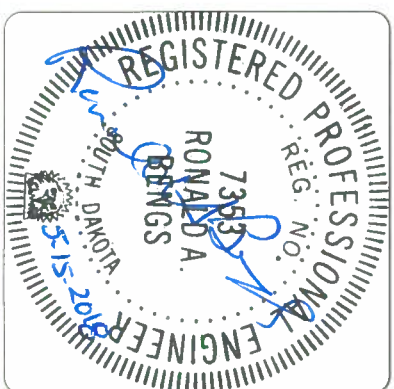
- A. GOVERNING CODES**
1. INTERNATIONAL BUILDING CODE (IBC), 2012 AND 2015 EDITIONS
 2. BUILDING CODE REQUIREMENTS FOR STRUCTURAL CONCRETE, ACI 318-14
- B. DESIGN LOADS AND CRITERIA**
1. ROOF: 350 PSF SNOW LOAD (MINIMUM)
 2. FLOOR: 400 PSF LIVE LOAD (MINIMUM)
 3. WIND: 150 MPH, (3 SECOND GUST), EXPOSURE C
 4. SEISMIC CRITERIA GROUP 1, CATEGORY E
 5. CONCRETE STRENGTH 4,500 PSI (MINIMUM) IN 28 DAYS
 6. REINFORCING STEEL SHALL CONFORM TO ASTM A615, GRADE 60.
 7. PROVIDE ALL ACCESSORIES NECESSARY TO SUPPORT REINFORCING AT POSITIONS SHOWN ON THE DRAWINGS.



FLOOR PLAN
SCALE 1/2"=1'-0"



SECTION A-A
SCALE 1/2"=1'-0"



Interstate Engineering, Inc.
P.O. Box 226
123 E. Jackson Blvd. Suite 1
Spearfish, S.D., 57783
Ph (605) 642-4772
Fax (605) 642-4773
www.interstateeng.com
Offices in ND, MN, MT, SD and WY



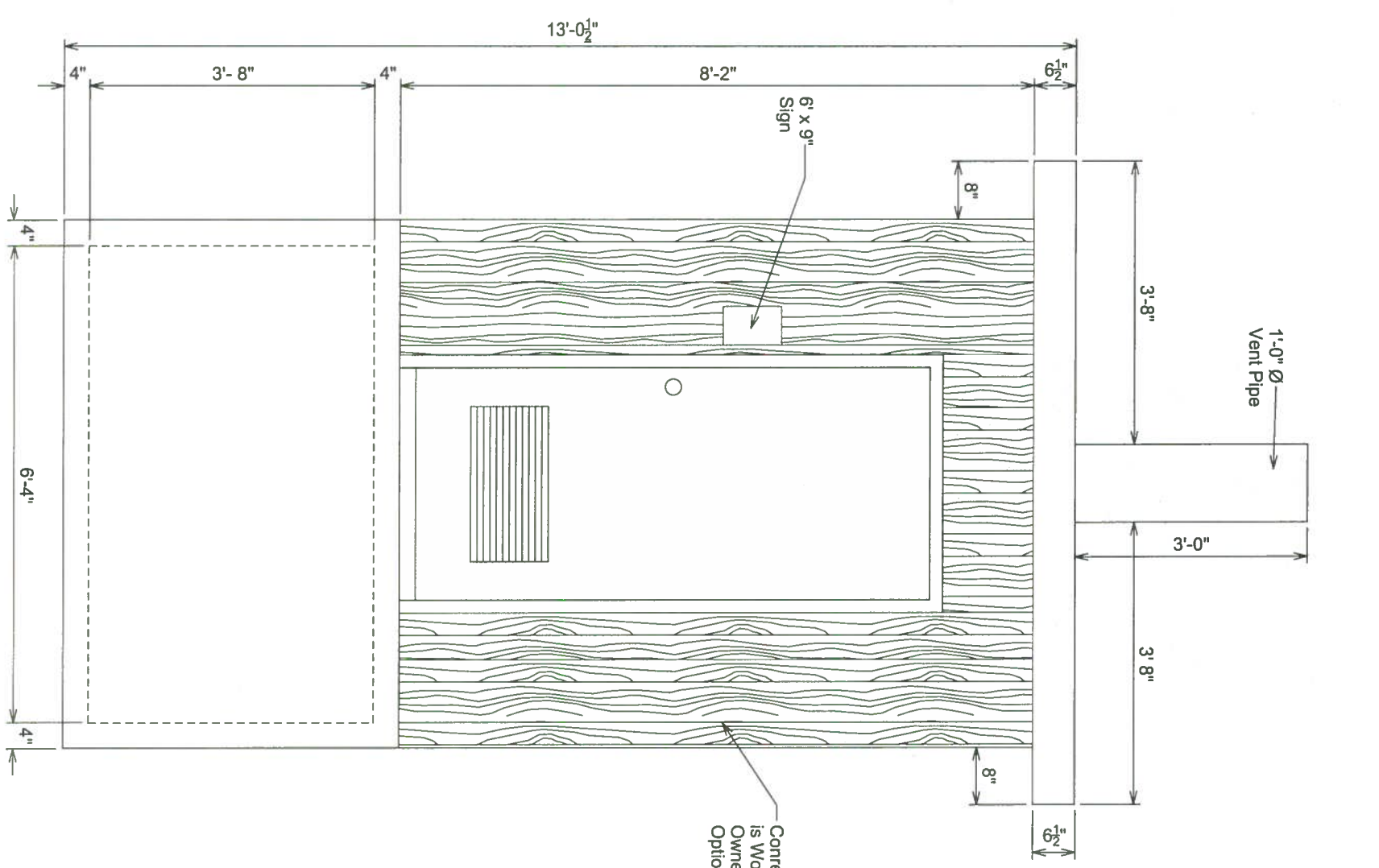
BOOM CLOVERMIST STANDARD
For: **BOOM CONCRETE, INC.**
220 Girard Avenue, P.O. Box 437, Newell, SD 57760

FLOOR PLAN AND SECTION A-A

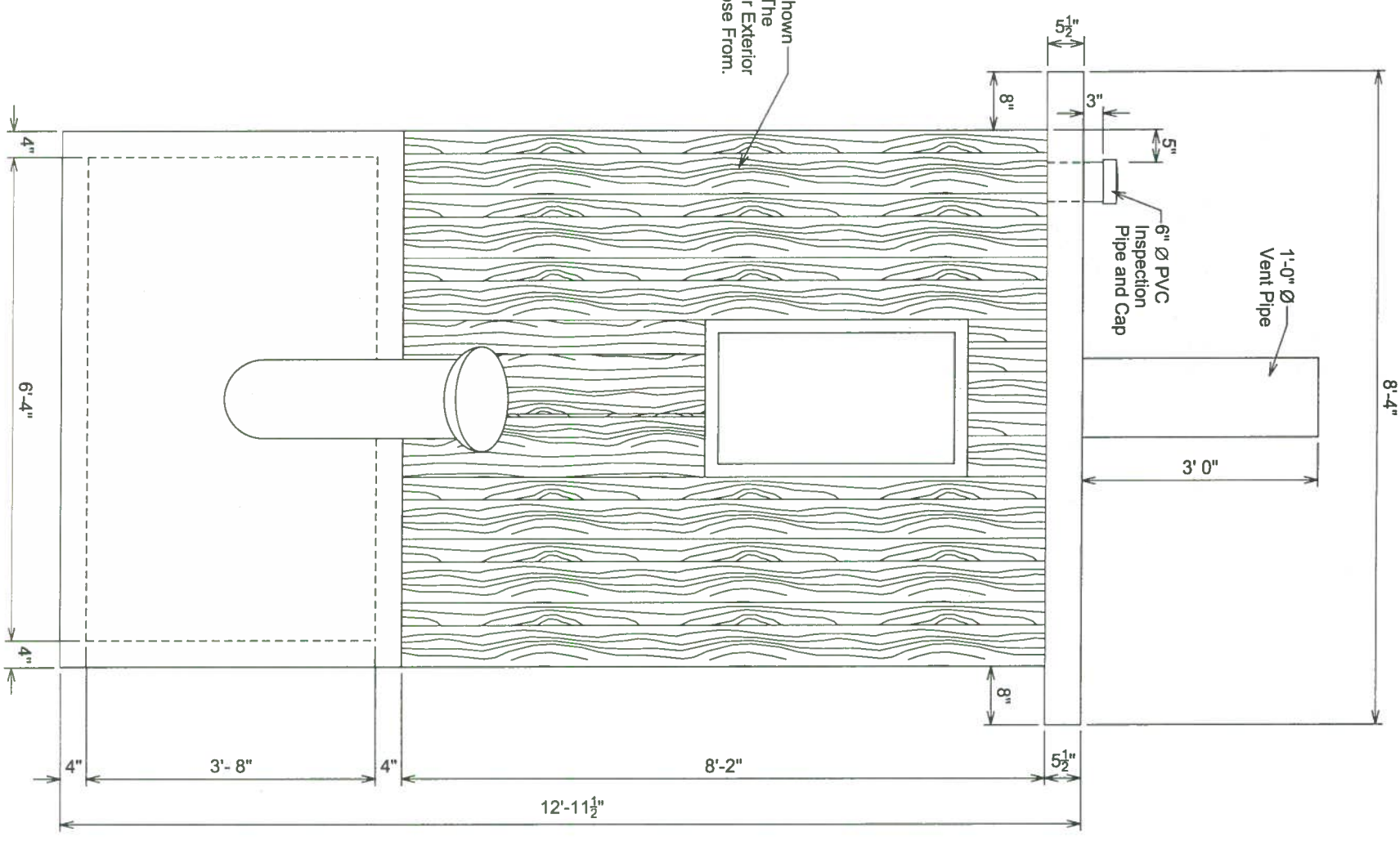
Drawn By: LLG Surveyed By: - Project No: L17-04-213
Checked By: RAB Designed By: AJD Date: February 21, 2018

Rev. No.	Date	By	Description

FRONT ELEVATION
SCALE 1/2"=1'-0"



REAR ELEVATION
SCALE 1/2"=1'-0"



Sheet Number
2



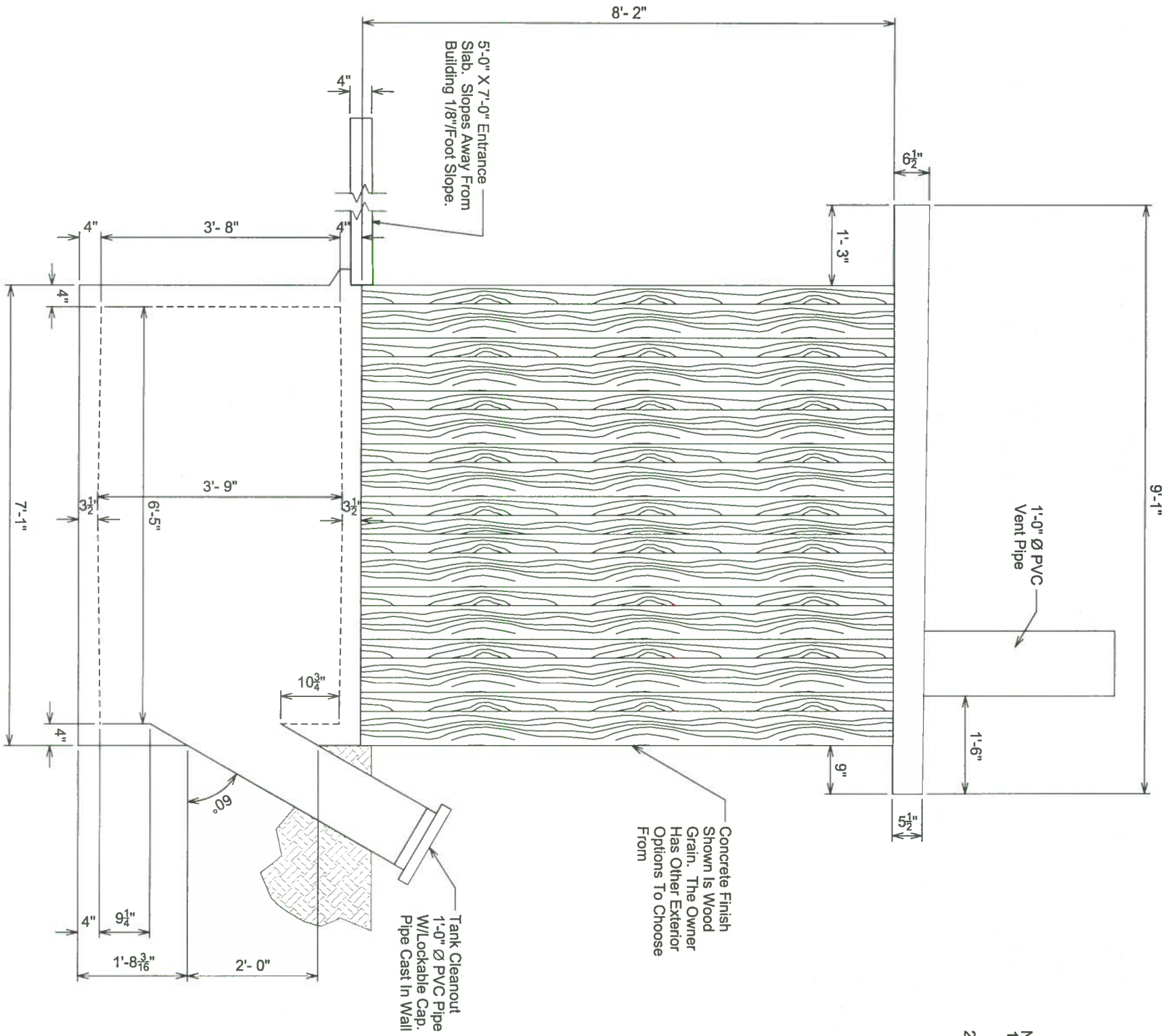
Interstate Engineering, Inc.
P.O. Box 226
123 E. Jackson Blvd. Suite 1
Spearfish, S.D., 57783
Ph (605) 642-4772
Fax (605) 642-4773
www.interstateeng.com
Offices in ND, MN, MT, SD and WY

BOOM CLOVERMIST STANDARD
For: **BOOM CONCRETE, INC.**
220 Girard Avenue, P.O. Box 437, Newell, SD 57760

FRONT AND REAR ELEVATIONS

Drawn By: LLG Surveyed By: - Project No: L17-04-213
Checked By: RAB Designed By: AJD Date: February 21, 2018

Rev. No.	Date	By	Description



SIDE ELEVATION
SCALE 1/2"=1'-0"

- NOTES:
 1. THE EXTERIOR FINISH SHOWN IS WOOD GRAIN, BUT OTHER FINISH TYPES ARE AVAILABLE AS OPTIONS.
 2. HOLDING TANK CAPACITY IS 145.1 c.f. = 1085.4 gallons



3
Sheet Number



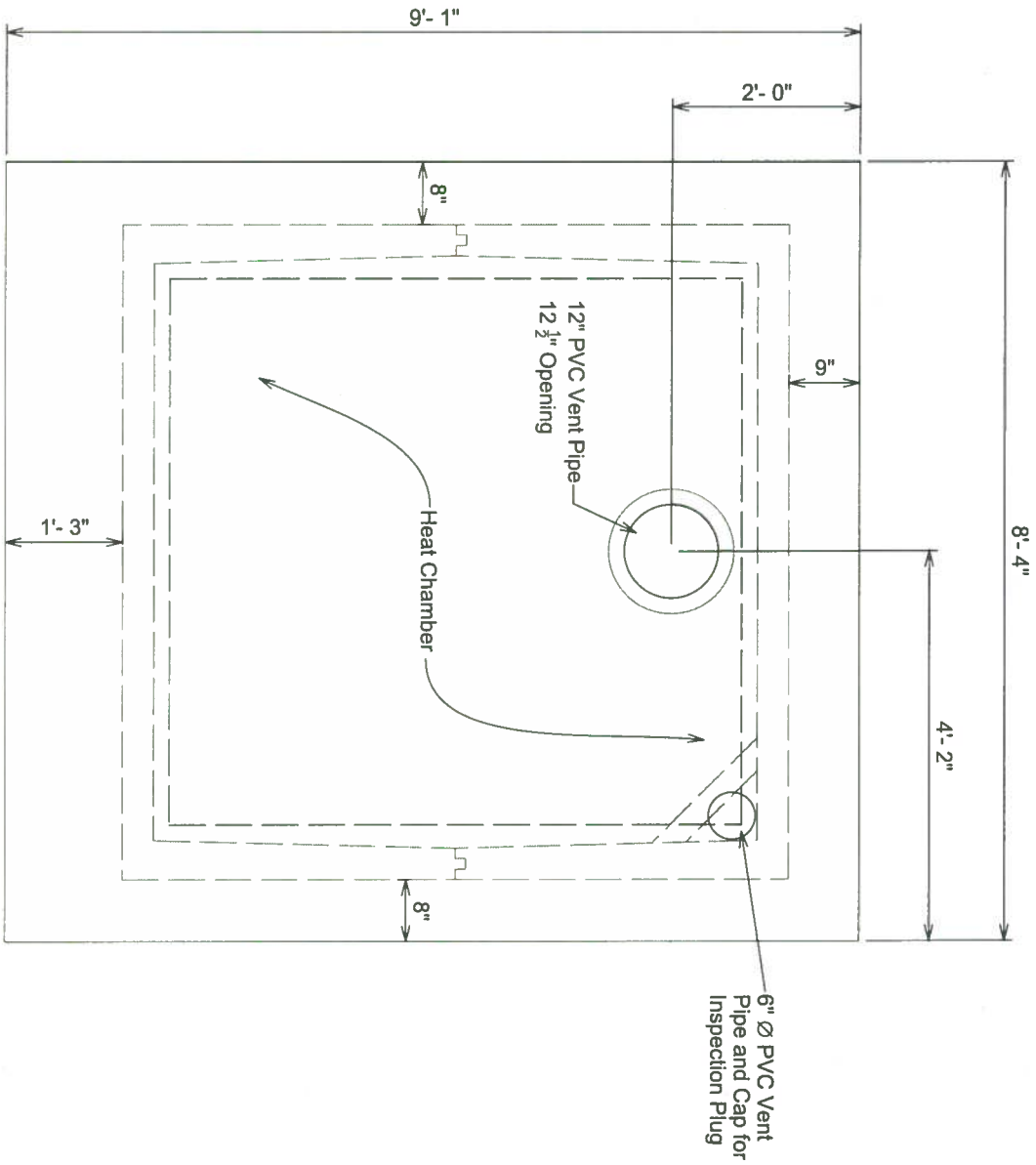
Interstate Engineering, Inc.
 P.O. Box 226
 123 E. Jackson Blvd. Suite 1
 Spearfish, S.D., 57783
 Ph (605) 642-4772
 Fax (605) 642-4773
 www.interstateeng.com
 Offices in ND, MN, MT, SD and WY

BOOM CLOVERMIST STANDARD
 For: BOOM CONCRETE, INC.
 220 Girard Avenue, P.O. Box 437, Newell, SD 57760

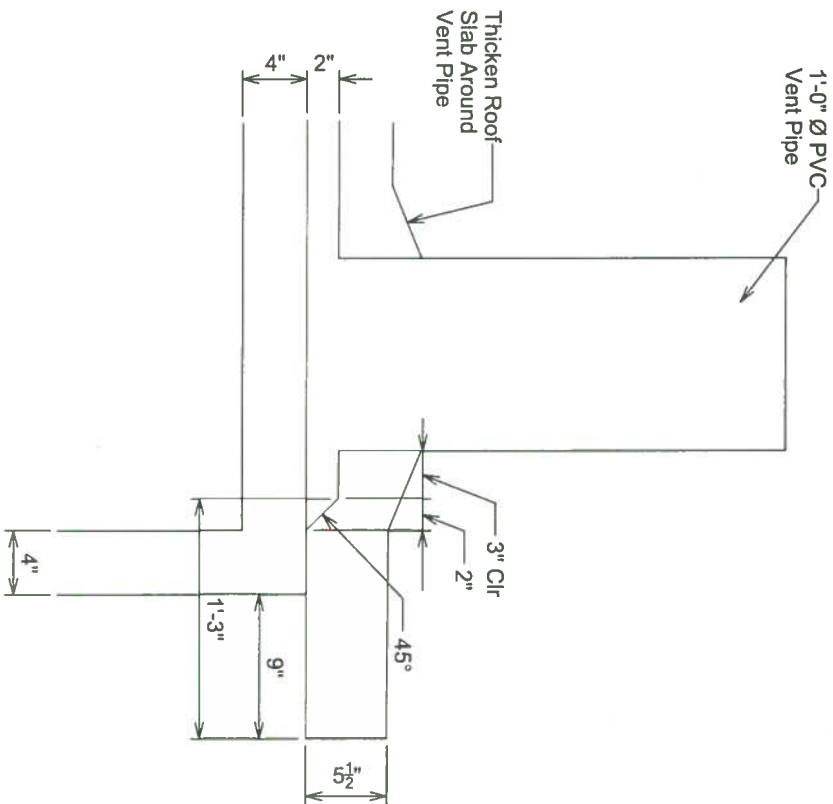
SIDE ELEVATION

Drawn By: LLG Surveyed By: - Project No: L17-04-213
 Checked By: RAB Designed By: AJD Date: February 21, 2018

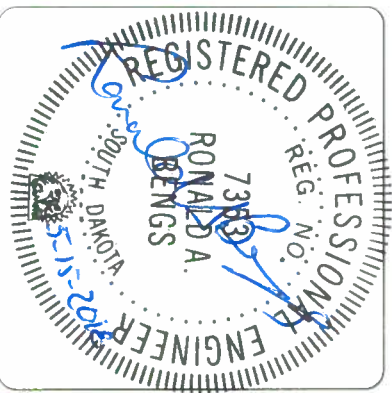
Rev. No.	Date	By	Description



ROOF SLAB PLAN
SCALE 1/2"=1'-0"



ROOF VENT & EDGE OF ROOF DETAIL
SCALE 1"=1'-0"



Interstate Engineering, Inc.
P.O. Box 226
123 E. Jackson Blvd. Suite 1
Spearfish, S.D., 57783
Ph (605) 642-4772
Fax (605) 642-4773
www.interstateeng.com
Offices in ND, MN, MT, SD and WY

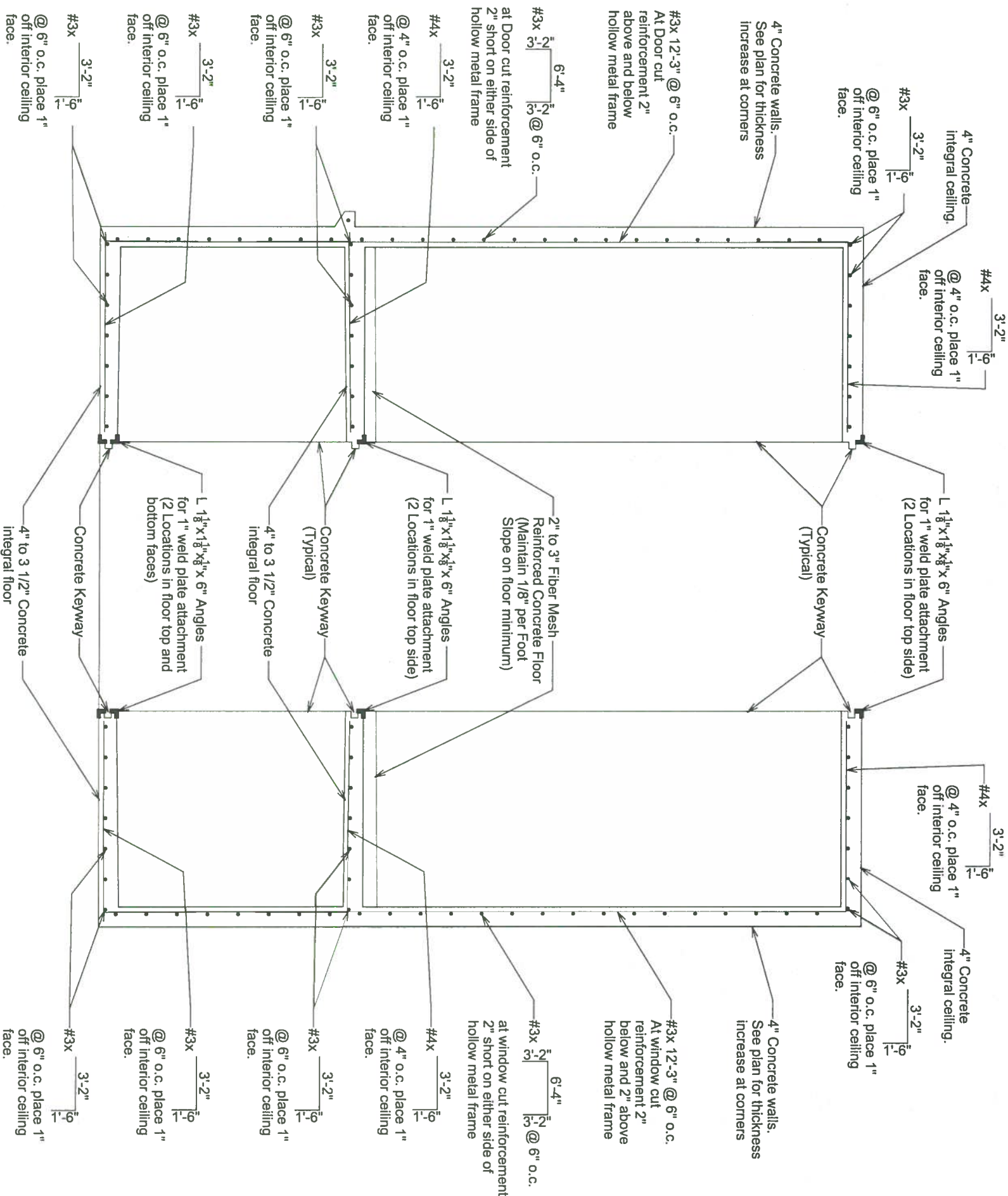


BOOM CLOVERMIST STANDARD
For: **BOOM CONCRETE, INC.**
220 Girard Avenue, P.O. Box 437, Newell, SD 57760

ROOF PLAN AND DETAILS

Drawn By: LLG Surveyed By: - Project No: L17-04-213
Checked By: RAB Designed By: AJD Date: February 21, 2018

Rev. No.	Date	By	Description



**TOILET WALL SECTION
REINFORCEMENT LAYOUT**

SCALE 1/2"=1'-0"

Note: The Manufacturer will place CS-665 CONSEAL around the mating edges of the toilet, holding tank and ceiling prior to joining the two halves together.



Interstate Engineering, Inc.
P.O. Box 226
123 E. Jackson Blvd. Suite 1
Spearfish, S.D., 57783
Ph (605) 642-4772
Fax (605) 642-4773
www.interstateeng.com
Offices in ND, MN, MT, SD and WY



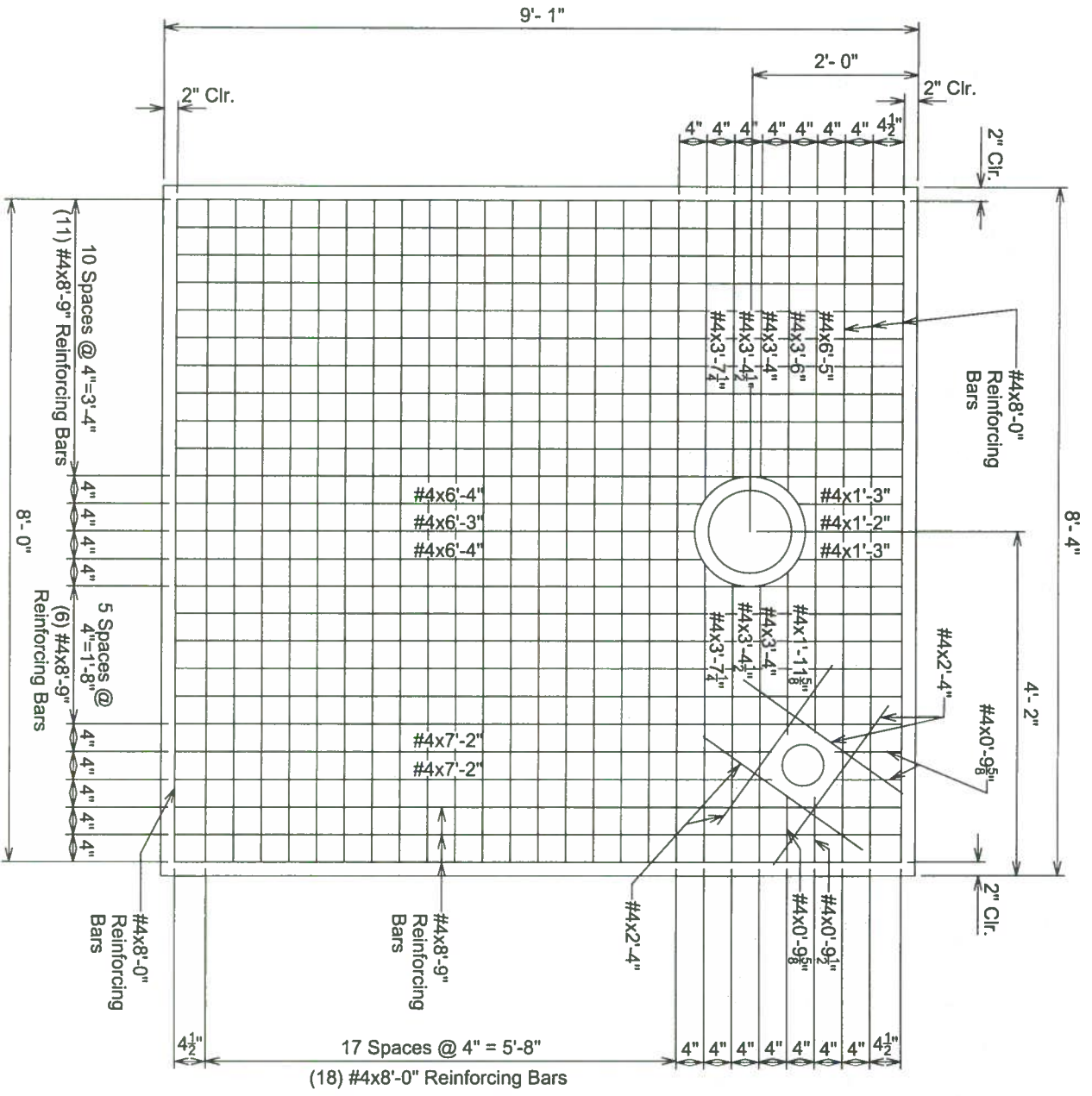
BOOM CLOVERMIST STANDARD
For: BOOM CONCRETE, INC.
220 Girard Avenue, P.O. Box 437, Newell, SD 57760

WALL, FLOORS, AND INTERIOR CEILING REINFORCEMENT LAYOUT PLAN

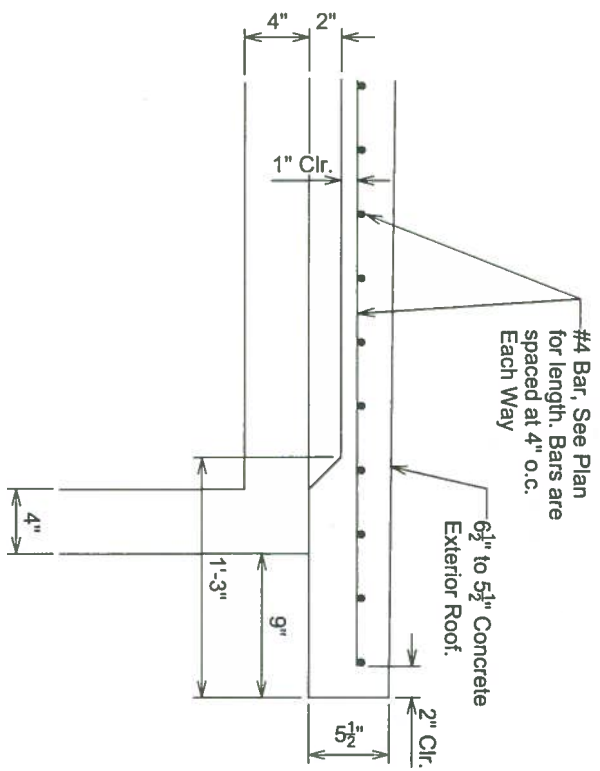
Drawn By: LLG Surveyed By: - Project No: L17-04-213
Checked By: RAB Designed By: AJD Date: February 21, 2018

Rev. No.	Date	By	Description

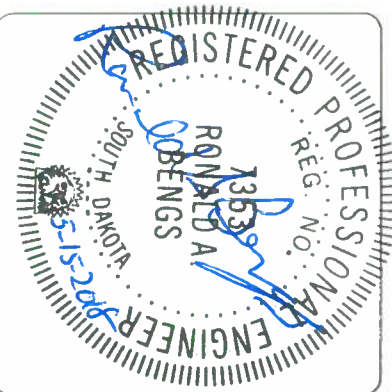
5
Sheet Number



ROOF SLAB REINFORCEMENT LAYOUT PLAN
SCALE 1/2"=1'-0"



ROOF REINFORCEMENT LAYOUT
SCALE 1"=1'-0"



Interstate Engineering, Inc.
P.O. Box 226
123 E. Jackson Blvd. Suite 1
Spearfish, S.D., 57783
Ph (605) 642-4772
Fax (605) 642-4773
www.interstateeng.com
Offices in ND, MN, MT, SD and WY



BOOM CLOVERMIST STANDARD
For: BOOM CONCRETE, INC.
220 Girard Avenue, P.O. Box 437, Newell, SD 57760

ROOF REINFORCEMENT LAYOUT PLAN AND DETAIL

Drawn By: LLG Surveyed By: - Project No: L17-04-213
Checked By: RAB Designed By: AJD Date: February 21, 2018

Rev. No.	Date	By	Description